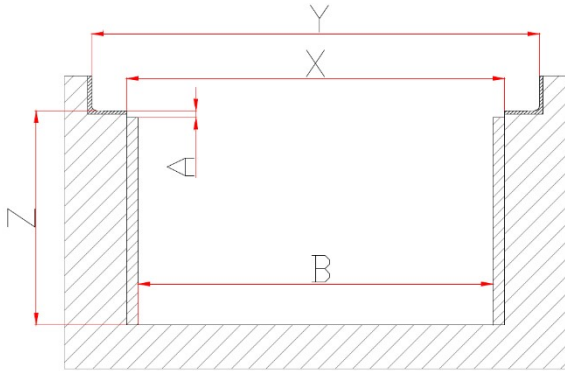


A)

CYLINDRICAL WHEEL

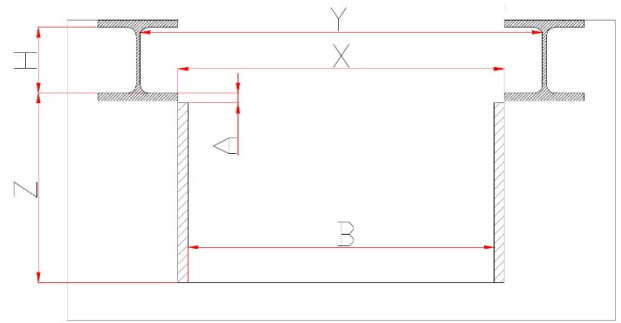
Profile: IPE, IPES, KHS, HEM, HEC, HEB, HEA



C)

CYLINDRICAL WHEEL *

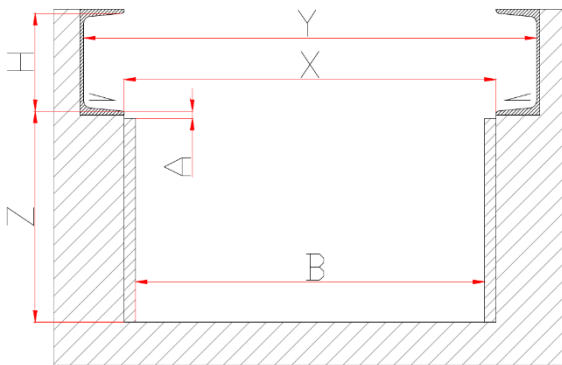
Np. profil: P, Z, T, KR, KN



B)

CONICAL WHEEL *

Profile: INP, CP, CN, CE, T



D)

IN THE CASE OF A NON-STANDARD PIT THAT DOES NOT

MATCH
VERSION A, B
OR C, PLEASE
ATTACH A
SKETCH WITH
DIMENSIONS
TO THE
ORDER. IF
THERE ARE
ANY
COMMENTS
ON THE
STANDARD

VERSIONS OF THE PIT, THEY SHOULD ALSO BE PROVIDED WHEN
ORDERING. YOU MUST PROVIDE THE COLOR OF THE LIFT.
STANDARD THE LIFTERS ARE 20mm NARROW THAN THE PIT,
WITH THE POSSIBILITY OF SPREADING THE WHEELS BY 80mm

*** IS THERE A CUT-OUT IN THE UPPER LENGTH OF THE**

PIT PROFILE ARM FOR INSERTING THE LIFTER TROLLEY ???

X mm

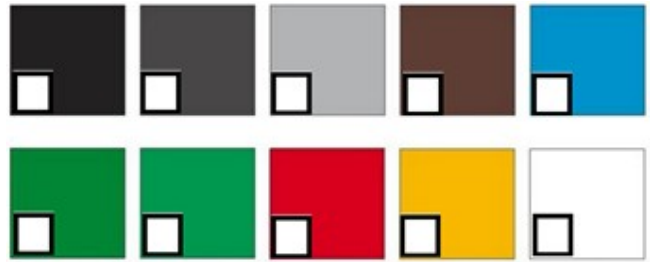
Y mm

B mm

Z mm

A mm

H mm



Please select the color of the lift?