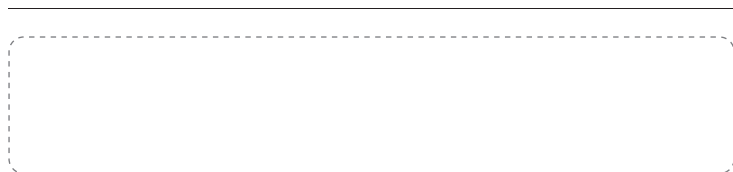
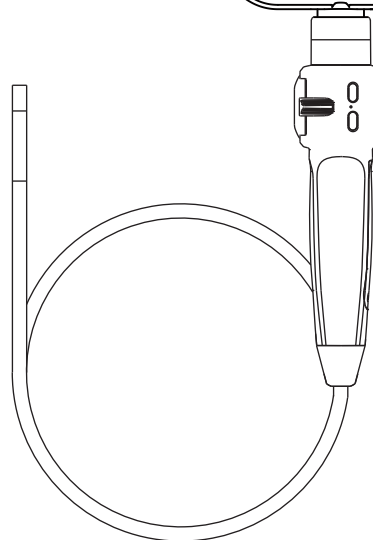
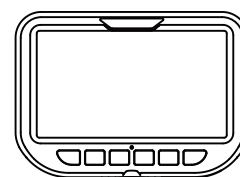


210mm

148mm



3.9mm / 5.5mm

6.2mm / 6.5mm Dual camera

8.5mm / 8.5mm Dual camera

**User Manual**

3mm

210mm

148mm

English

### Electrical Safety

Do not expose the endoscope to rain or damp environments.

### Personal Safety

- Do not use this product when fatigued or under the influence of medication.
- It is advisable to wear necessary protective gear when using this industrial endoscope.
- Avoid overreaching and maintain a balanced stance while operating the product.

### Usage and Care of the Industrial Endoscope

- This industrial endoscope (visual inspection camera device) is intended solely for industrial inspection and is not suitable for medical use or human examination.
- When not in use, keep the endoscope out of reach of children, and do not allow untrained personnel to operate it.
- For maintenance, ensure that moving parts are aligned and secured; any damaged parts or other issues could affect its effective use.
- Do not use the portable industrial endoscope if it emits smoke or gas. If damaged, repair it before further use.
- Operate the portable industrial endoscope, accessories, and tools according to the manual, considering the working conditions.

### General Safety Information

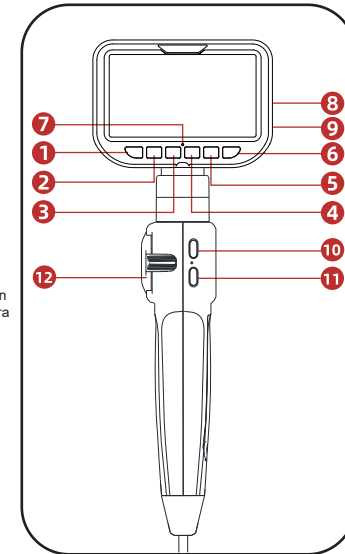
Thank you for choosing our portable industrial endoscope. This globally patented product should be used only after carefully reading the operation manual.

### Safe Operating Conditions

- Keep the working area clean, as cluttered or dark areas are prone to accidents.
- Do not use the portable industrial endoscope in explosive environments, such as where flammable liquids, gases, or dust are present.
- Avoid using the portable endoscope near live wires or energized objects, as exposed metal parts of the tool could cause electric shock.
- Do not use the endoscope near moving machinery.
- Avoid using it near any heat sources.
- When operating the portable industrial endoscope, keep children and bystanders at a safe distance.

### Product Introduction

- 1** **Power Button**  
Press the power button for about 3 seconds to turn on the device. When the power is on, the camera will automatically enter camera mode.
- 2** **Menu**  
In the preview interface, tap to enter the menu, and tap again to exit the menu.
- 3** **Up/Zoom Button**  
In the preview interface, tap to zoom in the image by X2 or X4. In the menu interface, tap to move the cursor up; long press to move the cursor up quickly.  
If the product has dual cameras, hold the button in the preview interface to switch among camera modes: front, side, and front + side display modes.
- 4** **Down/Rotate Button**  
In the preview interface, tap to mirror or rotate the real-time image and UI by 180°. In the menu interface, tap to move the cursor down.
- 5** **OK** **OK Button**  
In the preview interface, tap to take a photo; in video recording mode, tap to start recording, and tap again to stop recording.
- 6** **M** **Mode: Photo/Video/Album**  
In the preview interface, tap to enter video recording mode, and tap again to enter the album.
- 7** **O** **Charging Indicator Light**  
The blue light turns on when the device is powered on. The red LED stays on while charging, and the blue LED stays on when fully charged.
- 8** **TF Card Slot**  
Supports TF cards up to 32GB.  
If not using the original memory card provided with the device, please format the TF card before the first use.
- 9** **Type-C Charging Port**  
Used for charging  
(Type-C cable connected to an adapter)  
Used for data transfer  
(Type-C cable connected to a PC).



- 10** **Photo/Video Button**  
In the preview interface, tap to take a photo; long press for 3 seconds to switch from photo mode to video mode, tap to start recording. Tap again or tap the OK button to stop recording and save the video.
- 11** **LED Light Button**  
Tap the button to adjust brightness, with 3 levels of brightness. The 4th tap turns off the LED light
- 12** **Steering Wheel**  
Rotate the wheel to adjust the camera angle accordingly.

English

3mm

210mm

148mm

### Icon Description

**Preview Interface**

Photo/Video  
Battery Level  
TF Card Status  
Brightness Level  
Probe Temperature  
Front and Side Cameras  
Timestamp

**Note:**  
The device will automatically shut down for high-temperature protection when either the camera probe's working temperature or the ambient temperature reaches 90°C. Only the camera probe part is waterproof.

**Album Interface**

Resolution  
File Number/Photo Name  
Current File Number  
Total Number of Files

**Camera**  
The product comes in two types: single camera and dual camera

Single Camera      Dual Camera

- If the product has dual cameras, a camera icon will appear in the top left corner of the preview interface. By long-pressing the button on the device, you can switch among the camera modes: Front, Side, Front + Side display modes.
- If the product is single camera, the camera icon will not be displayed on the screen.

### OSD Settings

**Language Settings**

- Press the button (Menu button) to display the selection menu. The first item is the language settings. Press the OK button to confirm, and the language options will appear.
- Use the button to select the "Language" menu item.
- Press the OK button (OK button) to confirm the selection.
- Press the button (Menu button) to return to the image preview interface.

**Viewing Photos/Videos**

- In the preview interface, press the M button twice to enter the album.
- Press the button to select a photo or video, and press the OK button to play or pause the video.
- Press the M button to return to the album, and press it again to return to the preview interface.

**Taking Photos/Recording Videos**

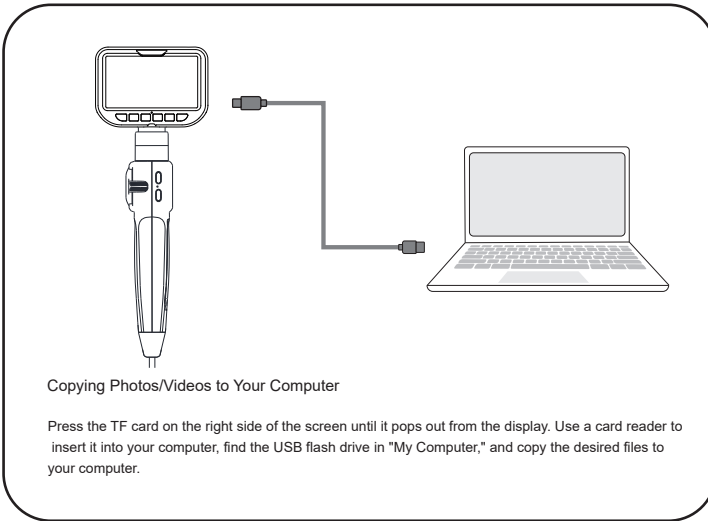
- (In the preview interface) Press the button on the handle to take a photo.
- Long press the button or press the M button to switch to video recording mode. Press the button or the OK button to start recording. Press again to stop recording the video.

3mm

210mm

148mm

English



**Copying Photos/Videos to Your Computer**

Press the TF card on the right side of the screen until it pops out from the display. Use a card reader to insert it into your computer, find the USB flash drive in "My Computer," and copy the desired files to your computer.

**Packing List**

Borescope & Package	Type-C Charging Cable	User Manual

5

BORESCOPE

EN

English

**Specification**

Specifications	Model			
	3.9mm	5.5mm	6.2mm / 6.5mm Dual camera	8.5mm / 8.5mm Dual camera
Screen	5.0" IPS			
Menu Languages	Simplified Chinese Traditional Chinese Japanese English Korean French Russian Spanish German			
Functions (Photo/Recording/ Playback/Image Rotation)	√			
TF Card (Max 32GB)	√			
Real-time Temperature	√			
Camera Resolution	1280*720		1600*1200 / 1280*720	
Turning Radius	25mm	28mm	30mm/35mm	30mm/35mm
Turning Angle	Two-way 180°			
Turning Life	≥20000 times			
Snake Tube Length	1M/2M/3M/Customizable			
Lens Diameter	3.9mm	5.5mm	6.2mm/6.5mm	8.5mm
Field of View (FOV)	78°	90°	90°	90°
Depth of Field (DOF)	20-60mm	15-∞	15-100mm / 15-∞	30-70mm / 15-∞
Adjustable LED Light	High-lumen LED bulbs			
Waterproof	IP67			
High-Temperature Protection: Automatically shuts off over 90°C	√			
Box Dimensions	42.2*21.5*8.5cm			
Carton Dimensions	47.5*46*44.5cm			
Battery Charging	DC5V*2A; 8.14Wh			
Working Time	Approx 4 hours	Approx 4 hours / Approx 3 hours		Approx 4 hours / Approx 3 hours
Temperature & Relative Humidity	-10°C~50°C; Less than 90%			
Certifications	CE; FCC; ROHS; Patents			

EN

BORESCOPE

6