

# WHEEL BALANCERS



## GENERAL REPAIR

Accuracy and small footprint

SERIES **B100, B200**

**JohnBean**



**SMART SONAR™**

## SMART SONAR™

Automatic rim width acquisition via Smart Sonar™ together with rim diameter and offset measurement via 2D-SAPE make this balancer the ideal solution for high-volume workshops (B200S only).

## SHORT BALANCING CYCLE

Extremely short balancing cycle (start/stop) of 4.5 sec.



**GAUGE ARM**

## TOUCH PANEL

Easy to operate with a comfortable touch panel.

## SILVER USER INTERFACE

This graphical user interface allows fast and intuitive selection of the balancing modes.

## CLAD WHEELS

The oversize shaft of 225 mm allows the use of any flanges necessary for the clad wheels or for a lug centring.



**TOUCHPANEL**

## GAUGE ARM

Semi-automatic data entry and positioning of adhesive weights.

## VPI

Measurement technique for uncompromised accuracy.

## easyALU™

Semi-automatic selection of balancing modes (Alu or steel rim).





## FEATURES OF THE B100

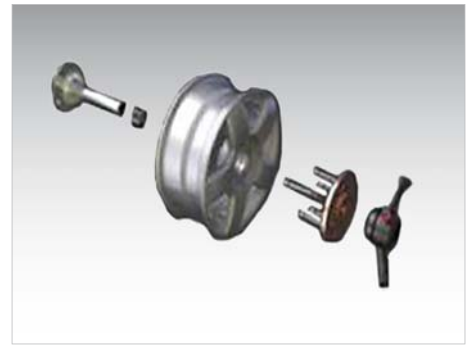
- Intuitive LED display
- Semi-automatic input of rim diameter and offset with gauge arm
- Manual input of rim width
- Imbalance optimisation program
- Imbalance minimisation program
- Constant rotational speed
- QuickBal for reduced cycle time
- Split weight mode
- The pedal-operated mechanical lock firmly holds the wheel in every position

**B100N:** without wheel guard

## FEATURES OF THE B200

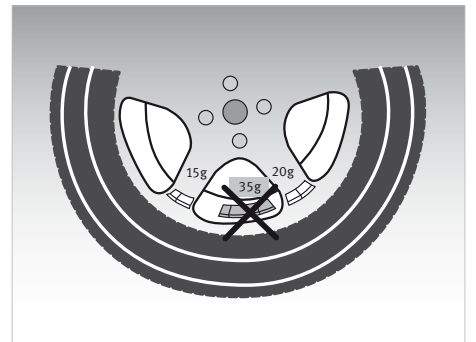
- 19" TFT monitor with intuitive SILVER user interface
- Semi-automatic input of rim diameter and offset with gauge arm
- Manual input of rim width
- Imbalance optimisation program
- Imbalance minimisation program
- Constant rotational speed
- easyALU™ for semi-automatic selection of balancing modes
- QuickBAL™ for reduced cycle time
- Split weight mode
- The pedal-operated mechanical lock firmly holds the wheel in every position

**B200S:** with Smart Sonar™ for automatic and non-contact detection of rim width



## OVERSIZE SHAFT

The shaft of 225 mm allows the use of stud-hole flanges and other accessories for almost every type of rim.



## SPLIT WEIGHT MODE

Hides adhesive weights behind two adjacent spokes so they cannot be seen from the outside.



## VPI

# TECHNICAL DATA AND FEATURES

## TECHNICAL DATA

		B100 / B100N	B200 / B200S
Vehicles supported		Passenger car / Light truck / SUV / Off-road / motorcycles (needs adaptors)	
Measuring speed	rpm	< 100	< 200
Balancing accuracy	g	1	1
Angular resolution	°	0.7	0.7
Start/Stop time (wheel 195/65R15)	s	6	4.5
<b>Semi-automatic data entry (SAPE)</b>			
Rim diameter	inch	8 - 25	8 - 25
Rim width	inch	-	- / 3 - 15
<b>Manual data entry</b>			
Rim diameter	inch	8 - 32	8 - 32
Offset	inch	1 - 20	1 - 20
Rim width	inch	1 - 20	1 - 20
<b>Maximum wheel dimensions</b>			
Max. wheel diameter	mm	960	1050
Wheel width	mm	76 - 508	76 - 508
Max. wheel weight	kg	70	70
Diameter of shaft	mm	40	40
Length of shaft	mm	225	225
Wheel lift max. load	kg	70	70
Power supply		230 V 1ph 50/60 Hz	230 V 1ph 50/60 Hz
Dimensions L x W x H (Wheel guard open)	mm	1100 x 1005 x 1711 / 690 x 450 x 977	1012 x 781 x 1834
Net weight	kg	70 / 60	82

## FEATURES

	B100 / B100N	B200 / B200S
Vibratory system technology	VPI with integrated flange	VPI with integrated flange
Wheel clamping	Quick nut	Quick nut
Wheel guard	• / -	•
Cycle start	Automatic, start by closing wheel guard / start key	Automatic, start by closing wheel guard / start key
Wheel braking after measurement	Automatic with current injection	Automatic with current injection
Wheel lift type	Optional BW 2010	Optional BW 2010
Balancing program selection	Manual	Semi-automatic - easyALU™
Smart Sonar™		- / •
Split weight	•	•
Minimisation	•	•
Optimisation	•	•
Main shaft lock	Mechanical	Mechanical
Self-calibration	•	•

**EMEA-JA**  
Snap-on Equipment s.r.l. - Via Prov. Carpi, 33 - 42015 Correggio (RE)  
Phone: +39 0522 733-411 - Fax: +39 0522 733-479 - www.johnbean-europe.com

**Austria**  
Snap-on Equipment Austria GmbH - Hauptstrasse 24/Top 14 - A-2880 St. Corona/Wechsel (RE)  
Phone: +43 1 865 97 84 - Fax: +43 1 865 97 84 29 - www.johnbean-europe.com

**France**  
Snap-on Equipment France - ZA du Vert Galant - 15, rue de la Guivernone BP 97175  
Saint-Ouen-l'Aumône - 95056 Cergy-Pontoise CEDEX  
Phone: +33 134 48 58-78 - Fax: +33 134 48 58-70 - www.johnbean-france.fr

**Germany**  
Snap-on Equipment GmbH - Konrad-Zuse-Straße 1 - 84579 Unterneukirchen  
Phone: +49 8634 622-0 - Fax: +49 8634 5501 - www.johnbean-deutschland.com

**Italy**  
Snap-on Equipment s.r.l. - Via Prov. Carpi, 33 - 42015 Correggio (RE)  
Phone: +39 0522 733-411 - Fax: +39 0522 733-410 - www.johnbean-italia.com

**United Kingdom**  
Snap-on Equipment Ltd. - Unit 17 Denney Road, King's Lynn - Norfolk PE30 4HG  
Phone: +44 118 929-6811 - Fax: +44 118 966-4369 - www.snapon-equipment.co.uk

