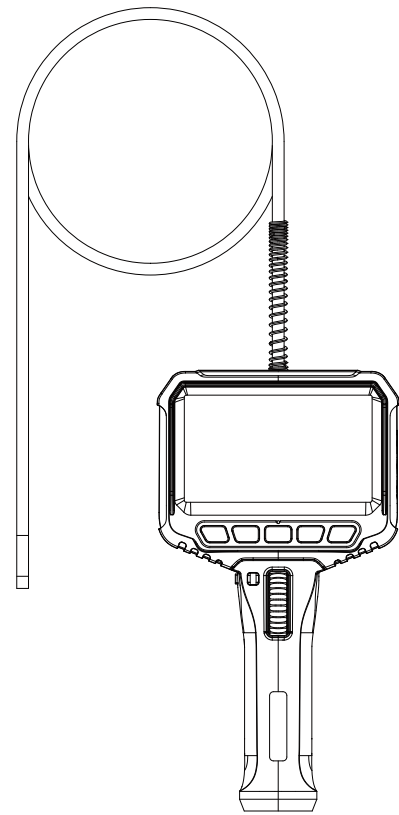


210mm

148mm



FC CE RoHS

3.9mm / 5.5mm
6.2mm / 8.5mm User Manual

3mm

210mm

148mm

English

Safety and Protection

- The camera probe is a high precision electronic device. Please do not touch the camera probe or pull the cable, which may lead to device failure.
- The camera probe has an IP67 waterproof layer, and the body is not waterproof. When using the probe, be extra careful to prevent scratches!
- The camera probe is made of materials that are not resistant to high temperatures. When checking any internal combustion engine or other equipment with high internal temperatures, please ensure that the internal temperature has cooled down, otherwise the equipment may be directly damaged!
- The exposed metal part of this product is made of conductive material. Please avoid contacting live circuits.
- If any equipment is damaged, please do not disassemble it by yourself. Contact the seller or supplier for professional repair service. Without adult guidance, children cannot use the device independently.

Operating and Storage Environment

- The equipment should be operated at an ambient temperature of 22~118°F (~10~50°C).
- The equipment should be stored in a dry, clean, oil-free, water-free, and chemical-free environment.

- Before using this product, read the instructions carefully and follow them to avoid injury.
- Disassembly of this product is strictly prohibited. We shall not be liable for any damage caused by unauthorized disassembly.
- The main body of this product is not waterproof. Avoid contact with liquids.
- Do not over-bend the camera probe. The bending limit of the snake tube is one cycle.
- Do not twist or pull the camera probe at the front of the snake tube.
- Before pulling out the snake tube, ensure the steering wheel is centered, and do not turn the steering wheel violently.

1

BORESCOPE

EN

Product Introduction

1 Power/LED Light Button

Press the power button for about 3 seconds to turn on the power. The camera will automatically enter camera mode when powered on. Click the button to adjust the brightness, the brightness is divided into 3 levels, and the fourth level is turning off the LED light.

2 Menu/Setting Button

Short press to enter the menu. Press and hold for 3 seconds to enter the Album

3 Up/Zoom in button

Click on the image in the preview interface to zoom in, and click in the menu interface to move the cursor up.

4 Down button/Rotate button

Click to rotate the live image 180° in the preview interface and click in the menu interface to move the cursor down.

5 Confirm Button

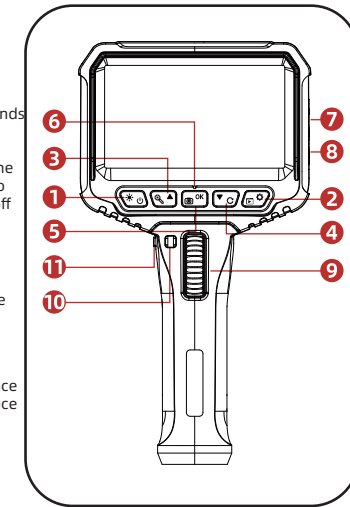
On the start up interface, tap to take a photo. Hold for 2 seconds to switch between video recording and photo mode. Tap to start recording a video, and tap again to stop recording. In the menu screen, tap to confirm your selection.

6 Charging Indicator light

The red LED flashes during charging and remains on blue when fully charged.

7 TF card slot

Support a TF card with 32 GB (Max) of memory. Please format the TF card before using it for the first time.



8 Type-C charging port

For charging (Type-C cable connected to adapter)
For data transmission (Type-C cable connected to PC).

9 Steering wheel

Slide the steering wheel up and down, and the camera angle changes accordingly.

10 Lock Button

Press to fix the probe rotate angle.

11 Unlock Button

Press to release the lock button, allowing the wheel to adjust the probe steering angle freely.

English

EN

BORESCOPE

2

3mm

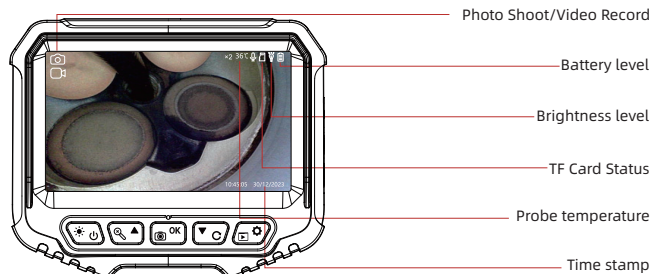
210mm

148mm

English

Introduction to UI Icon

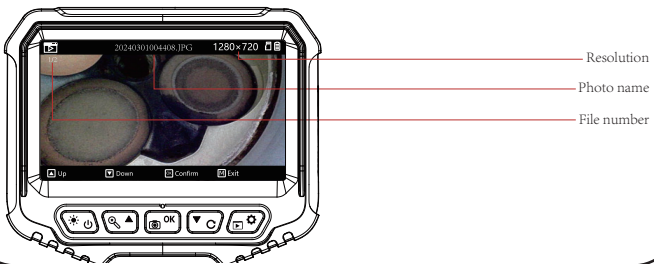
Preview interface



Attention:

Either the camera probe operating temperature or ambient temperature reaches 90°C, the device will automatically shut down due to high temperature protection. And only the camera probe part is waterproof.

Album interface



3

BORESCOPE

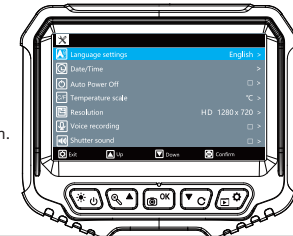
EN

English

OSD settings

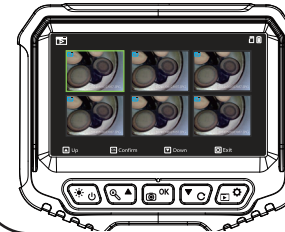
Language settings

1. Press the button, The selection menu will be displayed
2. Select the menu item Language by using of the / button.
3. Confirm the selection by pressing .
4. Press the button to return to the image preview interface.



View photo/video

1. In the preview interface, press the button for 2 seconds to enter the album.
2. Click / button to view a photo or video, click button to view a photo or play a video.
3. Click button to return to the preview interface and exit the album.



Photo/video

Click to take a photo, Hold for 2 seconds to start recording video and click again to end recording video (in the preview interface)



EN

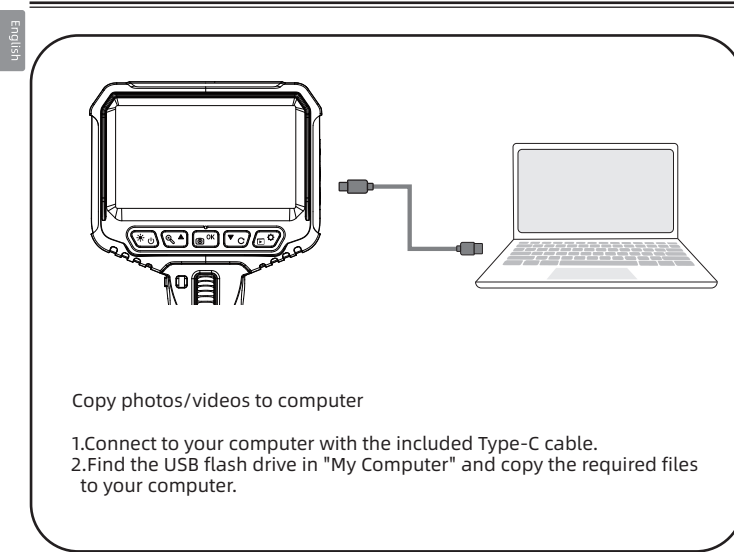
BORESCOPE

4

3mm

210mm



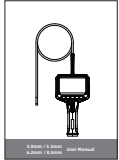
148mm



Copy photos/videos to computer

1. Connect to your computer with the included Type-C cable.
2. Find the USB flash drive in "My Computer" and copy the required files to your computer.

Packing List

Borescope & Package	Type-C Charging Cable	User Manual
		

5

BORESCOPE

EN

Specification

Specifications		Model			
		3.9mm	5.5mm	6.2mm	8.5mm
Display	Screen	4.3" IPS / 480*272			
	Menu Languages	Simplified Chinese Traditional Chinese Japanese English Korean French Russian Spanish German			
	Functions (Photo/Recording/ Playback/Image Rotation)	√			
	TF Card (Max 32GB)	√			
	Real-time Temperature	√			
Camera & Probe	Camera Resolution	1280*720			1600*1200/ 1280*720
	Turning Radius	25mm	28mm	30mm	30mm
	Turning Angle	Two-way 180°			
	Turning Life	≥20000 times			
	Snake Tube Length	1M/2M/3M/Customizable			
	Lens Diameter	3.9mm	5.5mm	6.2mm	8.5mm
	Field of View (FOV)	78°	90°	90°	90°
	Depth of Field (DOF)	20-60mm	15-100mm	15-100mm	30-70mm
	Adjustable LED Light	High-lumen LED bulbs			
	Waterproof	IP67			
	High-Temperature Protection: Automatically shuts off over 90°C	√			
Packaging	Box Dimensions	31.5*21.5*7.5cm			
	Carton Dimensions	44*38.5*33cm			
Operating Environment	Battery Charging	DC5V*2A; 8.14Wh			
	Working Time	Approx 4 hours			
	Temperature & Relative Humidity	-10°C~50°C; Less than 90%			
Certifications	CE; FCC; ROHS; Patents	√			

EN

BORESCOPE

6