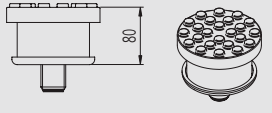


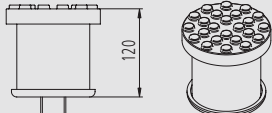
- ACCESSORI PER DUE COLONNE • ACCESSORIES FOR 2 POST LIFT • ZUBEHÖR FÜR 2-SÄULEN-HEBEBÜHNEN
- ACCESSORIES POUR DEUX COLONNES • ACCESORIOS PARA DOS COLUMNAS

### STANDARD ARMS


<b>S121A19</b>	<b>S121A18</b>	<b>S121A7</b>	<b>M30 THREAD CAPACITY ≤3200 kg</b>
<b>S235A1</b>	<b>S235A2</b>	<b>S235A3</b>	<b>M33 THREAD CAPACITY &gt;3200 kg</b>



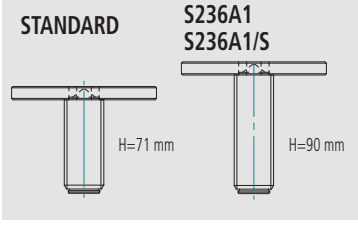
H=80mm  
4xkit



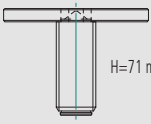
H=120mm  
4xkit



H=200mm  
4xkit



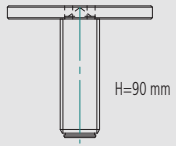
**STANDARD**



H=71 mm

**Standard Arms  
M30 thread**

**S236A1  
S236A1/S**



H=90 mm

**Special for  
Renault Talisman,  
Espace**

For Fiat Ducato, Peugeot Boxer, Citroën Jumper  
Distanziali / Spacers / Abstandstücke / Rehausses / Espesores

<b>S224A3</b>	<b>S224A4</b>	<b>S370A18</b>	<b>K - LIK - LIKT ARMS Ø 45mm</b>
<b>S370A7</b>	<b>S370A8</b>	<b>S370A15</b>	<b>70LIK ARMS Ø 60mm</b>
	<b>S224RA4</b>		<b>R ARMS Ø 55mm</b>



H=80mm  
4xkit



H=140mm  
4xkit



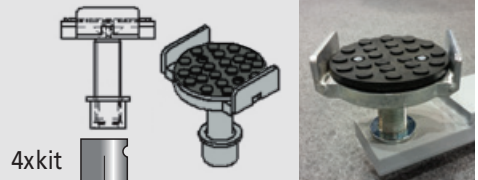
H=200mm  
4xkit



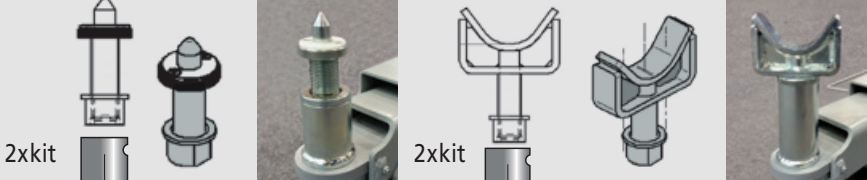
**QUICK FIT SYSTEM**

For Fiat Ducato, Peugeot Boxer, Citroën Jumper  
Distanziali / Spacers / Abstandstücke / Rehausses / Espesores

<b>S370A19</b> → S224A3 - S224A4 - S370A18 - Ø 45mm	<b>S370A17</b> → S224A3 - S224A4 - S370A18 - Ø 45mm
<b>S370A16</b> → S370A7 - S370A8 - S370A15 - Ø 60mm	<b>S370A14</b> → S370A7 - S370A8 - S370A15 - Ø 60mm



4xkit




2xkit

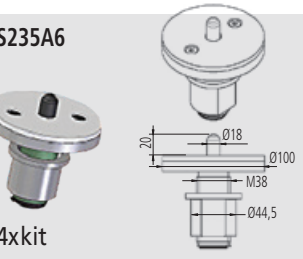
Supporti presa telaio / Frame adapters / Halterungen für Chassisaufnahme / Supports prise sur chassis / Espesores de agarre sobre chasis

For Mercedes Sprinter, VW LT+Crafter  
Supporti / Adapters / Halterungen / Supports / Adaptadores de agarre


<b>S5.337 A2</b>	<b>S235A6</b>	<b>S370A3</b> Ø 45mm	<b>S370A9</b> Ø 60mm
------------------	---------------	-------------------------	-------------------------



2xkit



4xkit

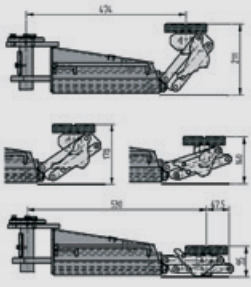


2xkit

Supporti presa telaio / Frame adapters / Halterungen für Chassisaufnahme / Supports prise sur chassis / Espesores de agarre sobre chasis

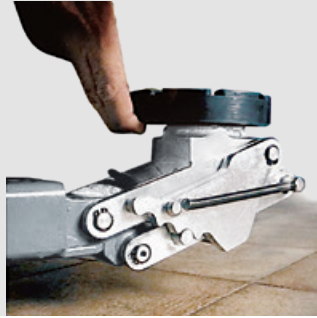
Supporti presa telaio / Frame adapters / Halterungen für Chassisaufnahme / Supports prise sur chassis / Espesores de agarre sobre chasis

Kit supporto distanziali  
Spacer supports  
Satz Halterung Distanzhülsen  
Supports pour rehausses  
Soportes para espesores



## MULTI HEIGHT PAD

CAPACITY ≤3500kg



S305A14  
S336A1  
S234A1

### Tampori Estensibili

- 4 altezze (95, 140, 178, 211mm)
- posizionamento rapido
- si alza con due dita e scende tirando il cavalletto
- ulteriore regolazione a vite di 40mm

### Tampons Extensibles

- 4 hauteurs (95, 140, 178, 211mm)
- positionnement rapide
- levage avec deux doigts et descente en tirant le câble
- réglage ultérieur à vis de 40mm

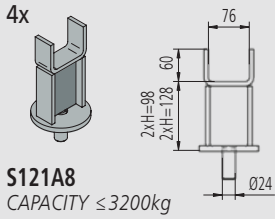
### Flip-up Pads

- 4 heights (95, 140, 178, 211mm)
- quick positioning
- two fingers to push up the pad and lowering by pulling the cable
- further 40mm screw adjustment

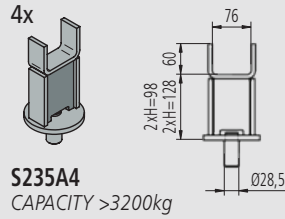
### Tacos Extensibles

- 4 alturas (95, 140, 178, 211mm)
- colocación rápida
- se levanta con dos dedos y se baja tirando el cable
- 40mm más de altura ajustables a rosca

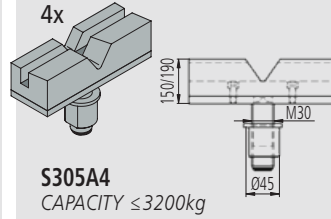
- S305A14/S Fornito installato in fabbrica in sostituzione dei tamponi esistenti
- S336A1/S Fitted in factory instead of standard pads
- S234A1/S Satz Aufnahmen wie ohne /S Satz bereits werkseitig montiert
- S370A2/S Fournis installés en remplacement des tampons existants
- S5.337A7X2/S Tacos suministrado ya instalados en lugar de los tacos normales



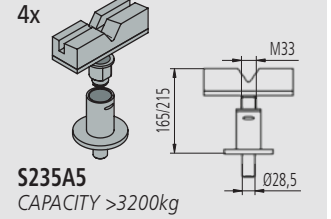
S121A8  
CAPACITY ≤3200kg



S235A4  
CAPACITY >3200kg

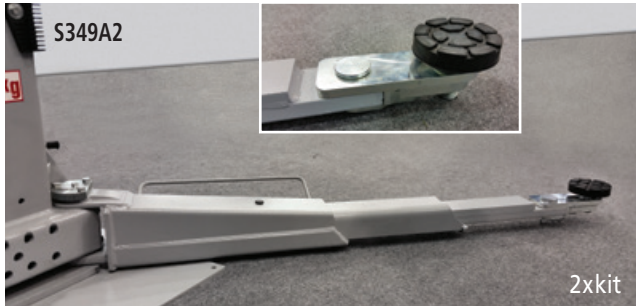


S305A4  
CAPACITY ≤3200kg



S235A5  
CAPACITY >3200kg

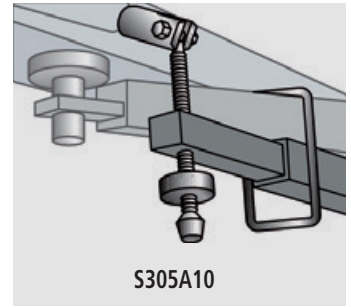
### For Mercedes 460 range



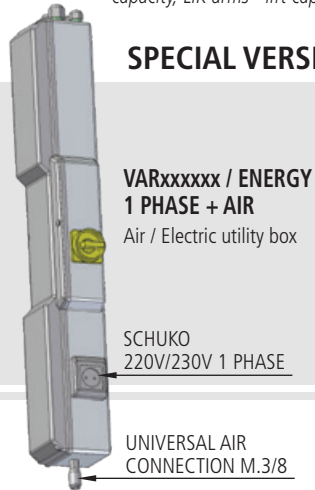
Arm Extension (→For baseless lift, electromechanical synchronization, 4,2ton capacity, LIK arms - lift capacity reduced to 3,5ton)



Set parasportelli / Set of door protections / Satz Türanschläge / Kit protection portes / Juego de protecciones para puertas.



Barra trattenimento veicolo / Vehicle locking bar / Halterung / Barre de blocage voiture / Bloqueo de seguridad. For Mercedes

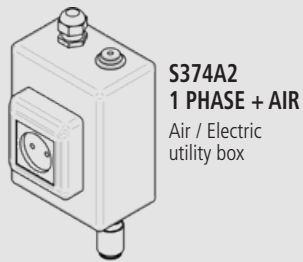


## SPECIAL VERSIONS Energy Set

VARxxxxxx / ENERGY 1 PHASE + AIR  
Air / Electric utility box

SCHUKO 220V/230V 1 PHASE

UNIVERSAL AIR CONNECTION M.3/8



S374A2 1 PHASE + AIR  
Air / Electric utility box

### S121A2A

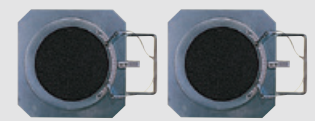


Cavalletti per assetto / Alignment stands / Stative für Achsvermessung / Béquilles pour géométrie / Caballetes para alineado

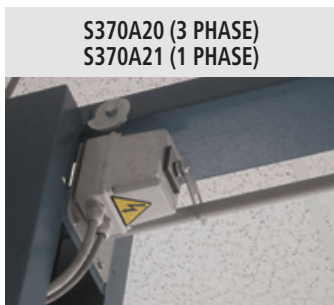
### S110A7

Ø 310 mm (12.2")  
2x1000 kg (2x2200lbs)

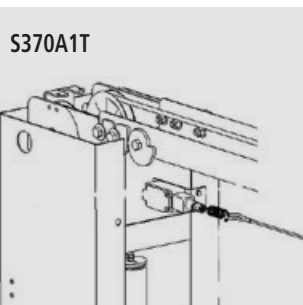
## TURNTABLES



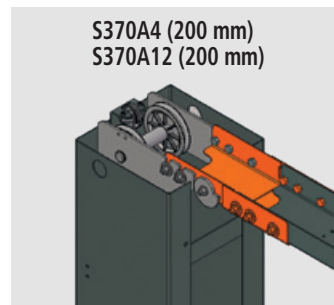
Piatti rotanti / Turntables / Drehplatten / Plateaux pivotants / Platos giratorios



Fincorsa / Limit switch / Endabschalter / Fin de course / Final de carrera



S370A1T



S370A4 (200 mm)  
S370A12 (200 mm)

Estensione larghezza / Width extension / Verbreitung / Extension en largeur / Extensión de anchura

