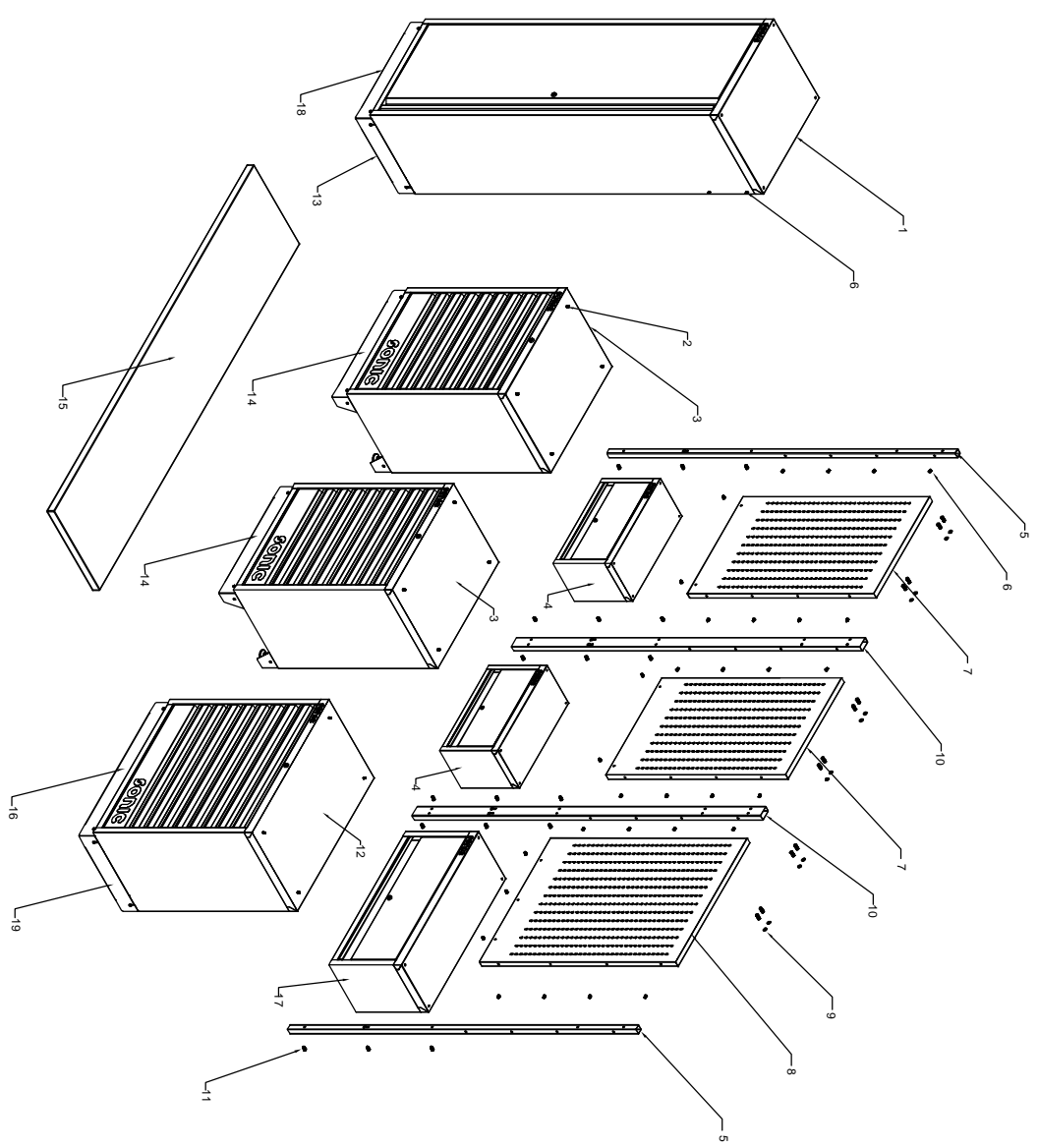


**PARTS LIST**

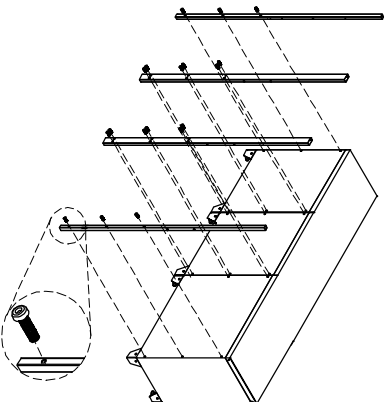


Ref#	Description	Part#	QTY
1	24"Locker	47272	1 pc
2	Hexagon bolt with flange screw (M6X25)		18 pcs
3	26"Cabinet frame	47280	2 pcs
4	26"Cupboard	47276	2 pcs
5	Pipe ( 30X30mm )	47284	2 pcs
6	Truss head screw ( M6X12, stainless )		24 pcs
7	26"Hanger board	47376	2 pcs
8	34"Hanger board	47380	1 pc
9	HEX socket head cap screw with washer ( M6X16 )		12 pcs
10	Pipe ( 60X30mm )	47283	2 pcs
11	HEX socket head cap screw ( M8X20 )		18 pcs
12	34"Cabinet frame	47296	1 pc
13	24"Skirting side board	47310	1 pc
14	26"Skirting board	47289	2 pcs
15	86"Wooden work plate	47306	1 pc
16	34"Skirting board	47303	1 pc
17	34"Cupboard	47292	1 pc
18	24"Skirting board	47275	1 pc
19	26" & 34" closet side board	47389	1 pc

**ASSEMBLY INSTRUCTIONS**

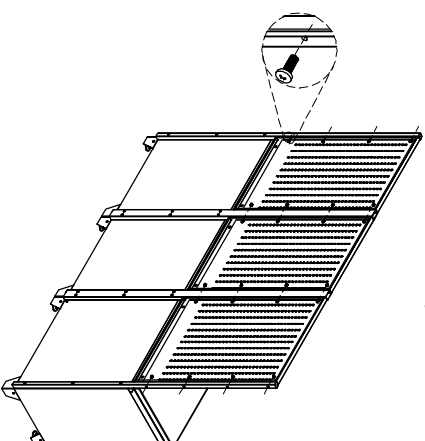
**1. INSTALL PIPES**

Simply position the pipes over the holes on the cabinets, and attach with the bolts provided. Tighten HEX socket head cap screws ( M8X20) securely.



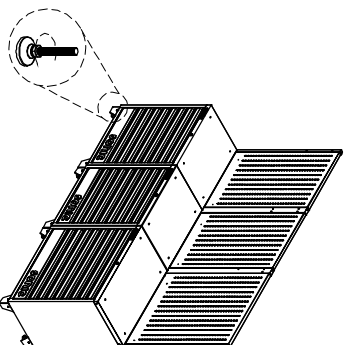
**2. INSTALL HANGER BOARD**

Simply position the hanger board over the holes and attach with the bolts provided. Tighten truss head screws(M6X12, stainless) securely.



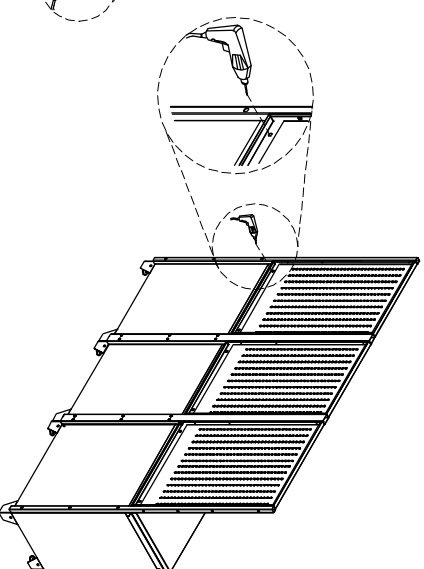
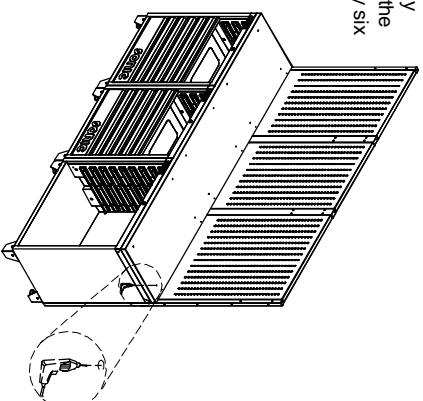
**3. ADJUST LEVELER**

Adjust the levelers and make the whole unit to stable state.



**4. PRE-DRILL HOLES OF WOODEN WORK PLATE**

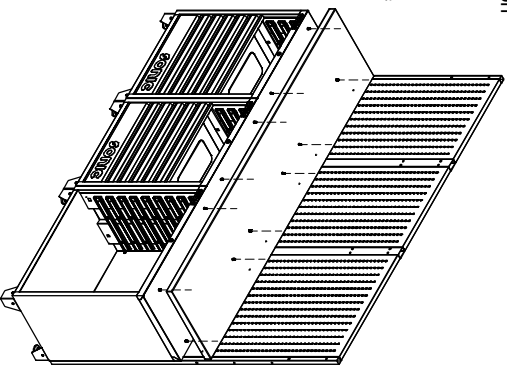
Pre-drill twelve small holes under the wooden work plate for easily installing. Repeat the steps for the back of wooden work plate(only six holes).



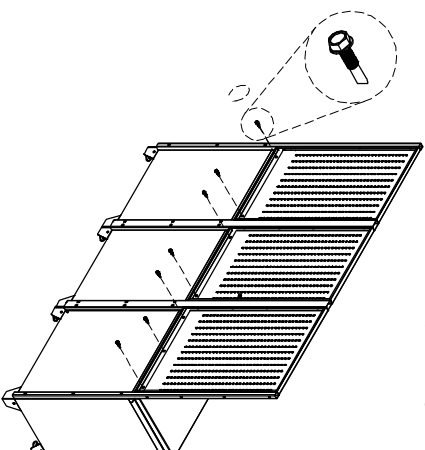
**ASSEMBLY INSTRUCTIONS**

**5. INSTALL WOODEN WORK PLATE**

Position the wooden work plate on the top of cabinets. Remove the top drawer of cabinet. Insert the Hexagon bolt with flange screws (M6X25) through the top of cabinet, and into the bottom of the wooden worktop. Tighten securely. Reinstall the drawers.

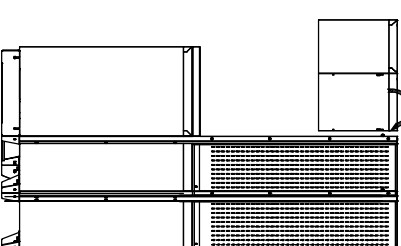


Insert the Hexagon bolt with flange screws (M6X25) through the back of hauger boards, and into the side of wooden work plate. Tighten securely.



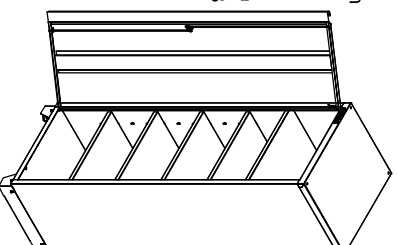
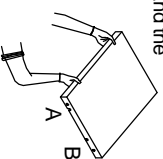
**6. INSTALL CUPBOARD**

Hang the cupboards onto the screws and attach with the HEX socket head cap screws (M6X16) provided. Tighten securely.



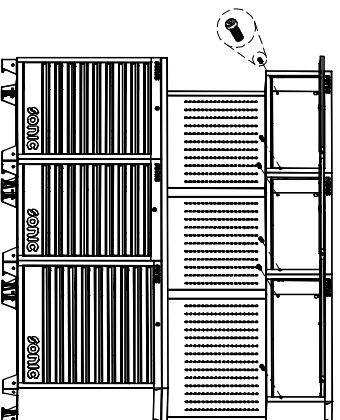
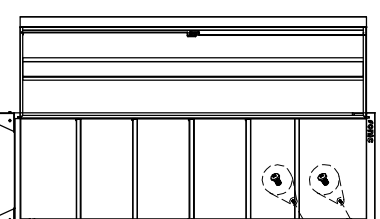
**7. INSTALL FOUR ADJUSTABLE SHELVES**

Decide the height of the adjustable shelf onto the tongues on both side panels. Insert the bolts into the side panels. Place the shelf on the bolts. Make sure slot B go to locker first. The top one is fixed, and the others are adjustable.



**8. INSTALL LOCKER**

Insert the truss head screws (M6X12) through the pipe (30X30mm). Tighten securely.



### 9. INSTALL SKIRTING BOARDS

Position the skirting boards on the legs of cabinets. Insert the Truss head screw ( M6X12, stainless ) through the legs. Tighten securely. Repeat the steps for other skirting boards.

