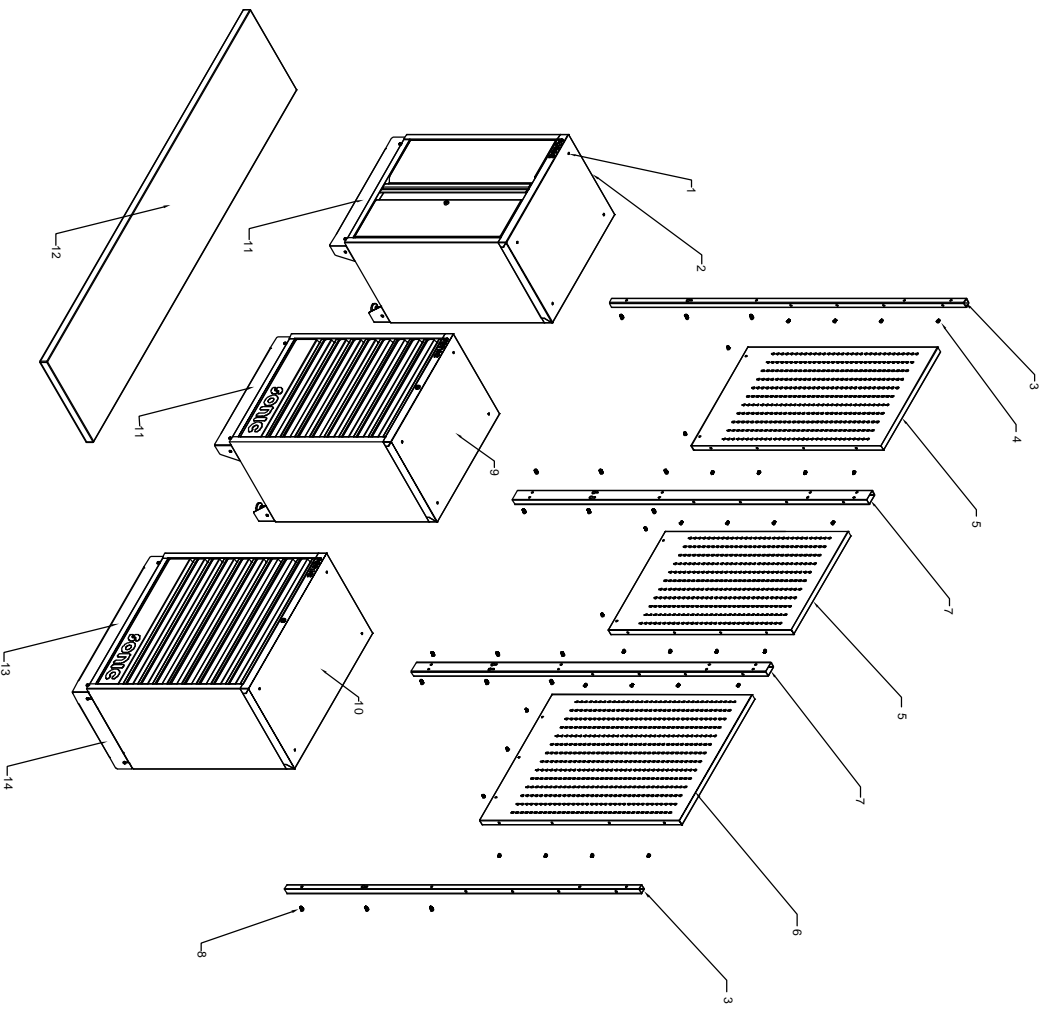


**PARTS LIST**

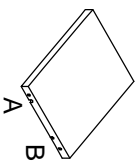
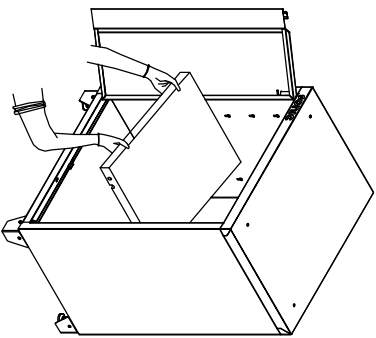


Ref#	Description	Part#	QTY
1	Hexagon bolt with flange screw (M6X25)	321177	18 pcs
2	26"Colset frame	47288	1 pc
3	Pipe ( 30X30mm )	47284	2 pcs
4	Truss head screw (M6X12, stainless)		24 pcs
5	26"Hanger board	47376	2 pcs
6	34"Hanger board	47380	1 pc
7	Pipe ( 60X30mm )	47283	2 pcs
8	HEX socket head cap screw ( M8X20 )		18 pcs
9	26"Cabinet frame	47280	1 pc
10	34"Cabinet frame	47296	1 pc
11	26"Skirting board	47289	2 pcs
12	86"Wooden work plate	47306	1 pc
13	34"Skirting board	47303	1 pc
14	26" & 34" closet side board	47389	1 pc

**ASSEMBLY INSTRUCTIONS**

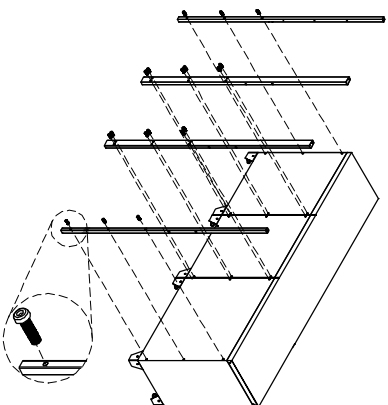
**1. INSTALL ADJUSTABLE SHELF**

Decide the height of the adjustable shelf onto the tongues on both side panels. Insert the bolts into the side panels. Place the shelf on the bolts. Make sure slot B go into box first.



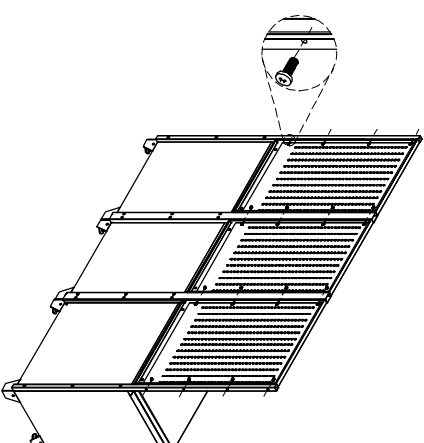
**2. INSTALL PIPES**

Simply position the pipes over the holes on the cabinets and attach with the bolts provided. Tighten HEX socket head cap screws (M8X20) securely.



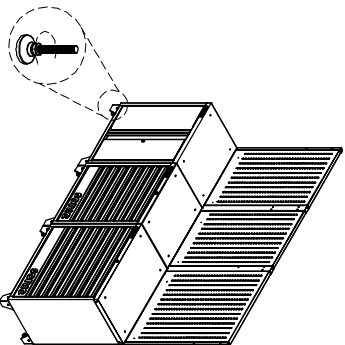
**3. INSTALL HANGER BOARD**

Simply position the hanger board over the holes and attach with the bolts provided. Tighten truss head screws (M6X12, stainless) securely.



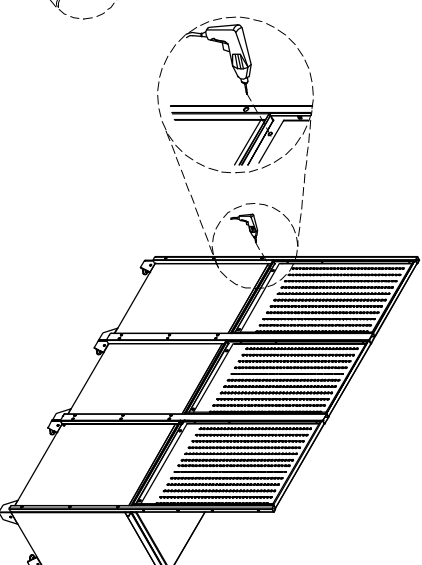
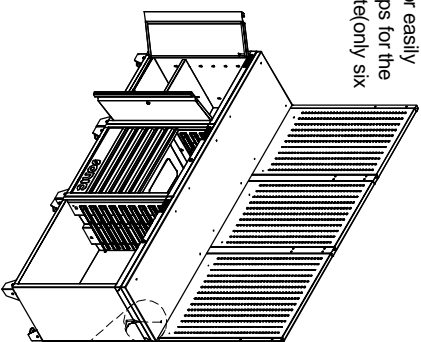
**4. ADJUST LEVELER**

Adjust the levelers and make the whole unit to stable state.



**5. PRE-DRILL HOLES OF WOODEN WORK PLATE**

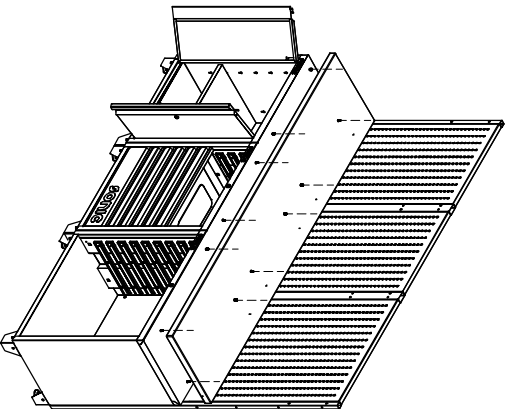
Pre-drill twelve small holes under the wooden work plate for easily installing. Repeat the steps for the back of wooden work plate (only six holes).



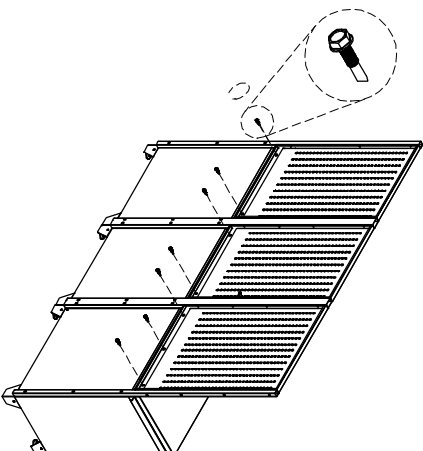
**ASSEMBLY INSTRUCTIONS**

**6. INSTALL WOODEN WORK PLATE**

Position the wooden work plate on the top of cabinets. Remove the top drawer of cabinet and open the 2-door cabinet. Insert the Hexagon bolt with flange screws (M6X25) through the top of cabinet, and into the bottom of the wooden worktop. Tighten securely. Reinstall the drawers.

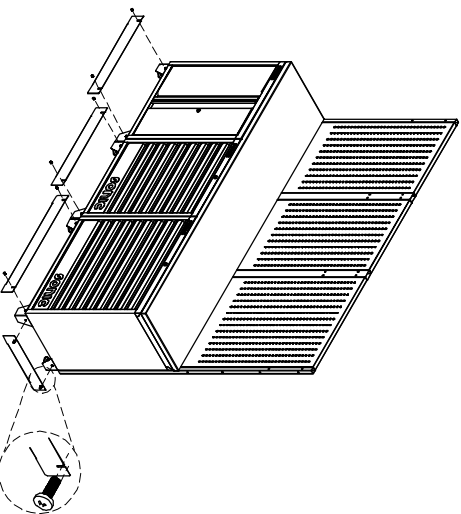


Insert the Hexagon bolt with flange screws (M6X25) through the back of hauger boards, and into the side of wooden work plate. Tighten securely.



**7. INSTALL SKIRTING BOARDS**

Position the skirting boards on the legs of cabinets. Insert the Truss head screw (M6X12 stainless) through the legs. Tighten securely. Repeat the steps for other skirting boards.



. 3.

