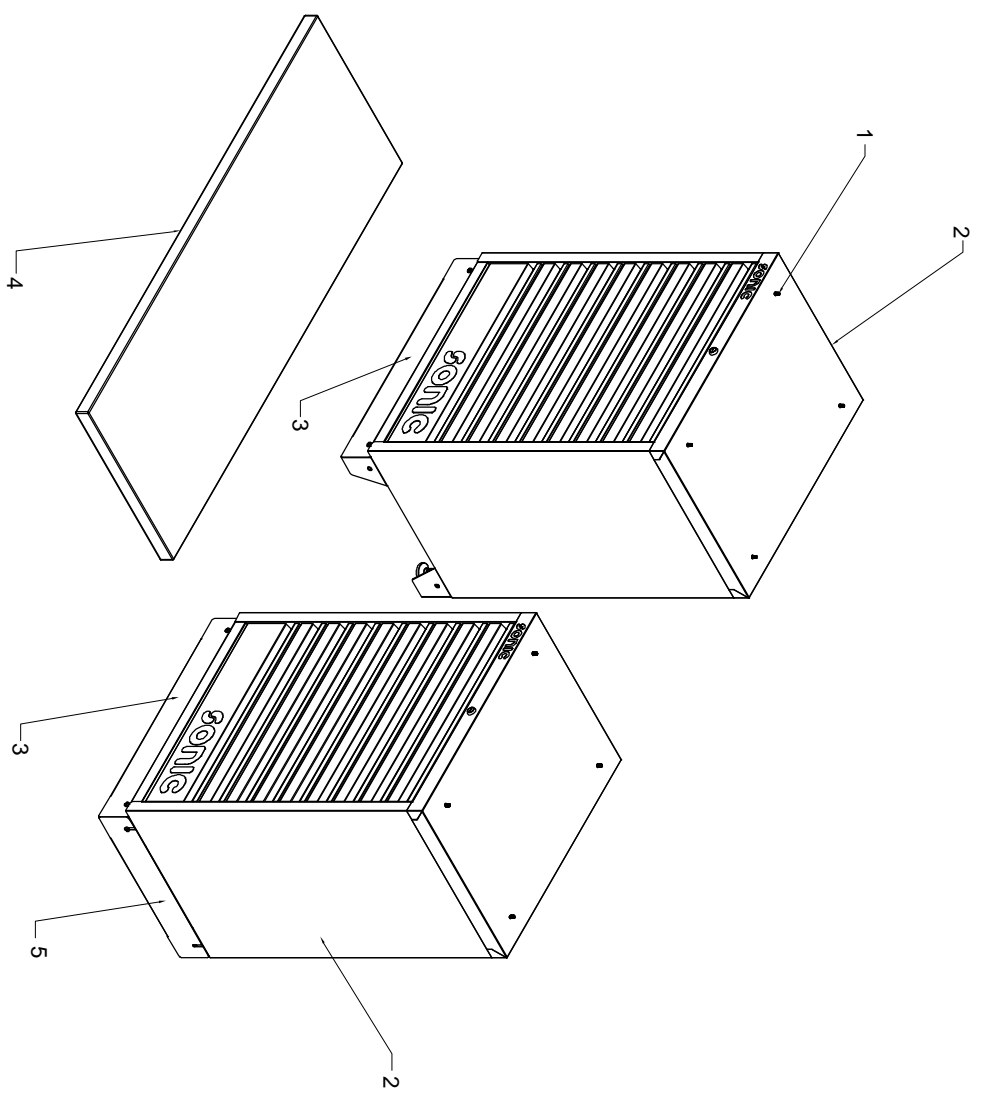


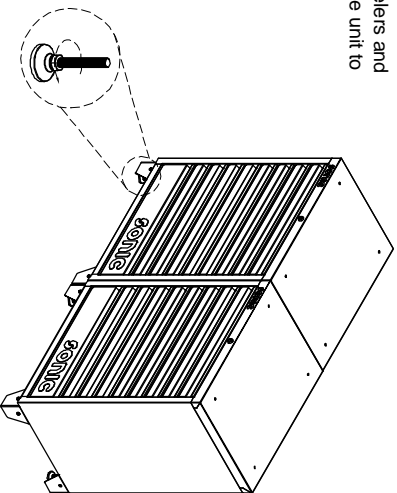
**PART LIST**

Ref#	Description	Part#	QTY
1	Hexagon bolt with flange screw (M6X25)		8 pcs
2	34" Cabinet frame	47296	2 pcs
3	34" Skirting board	47303	2 pcs
4	68" Wooden work plate	47295	1 pc
5	34" Closet side board	47389	1 pc



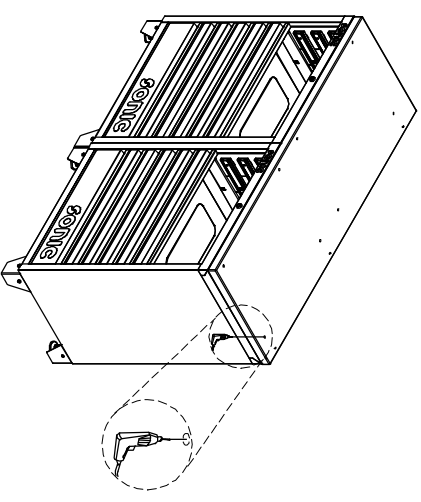
### 1. ADJUST LEVELER

Adjust the levelers and make the whole unit to stable state.



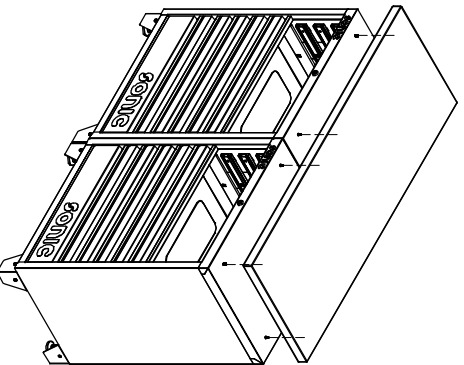
### 2. PRE-DRILL HOLES OF WOODEN WORK PLATE

Pre-drill eight small holes under the wooden work plate for easily installing.



### 3. INSTALL WOODEN WORK PLATE

Position the wooden work plate on the top of cabinets. Remove the top drawer of cabinet. Insert the Hexagon bolt with flange screw (M6X25) through the top of cabinet, and into the bottom of the wooden worktop. Tighten securely. Reinstall the drawers.



### 4. INSTALL SKIRTING BOARDS

Position the skirting boards on the legs of cabinets. Insert the truss head screw ( M6X12, stainless ) through the legs. Tighten securely. Repeat the steps for other skirting boards.

