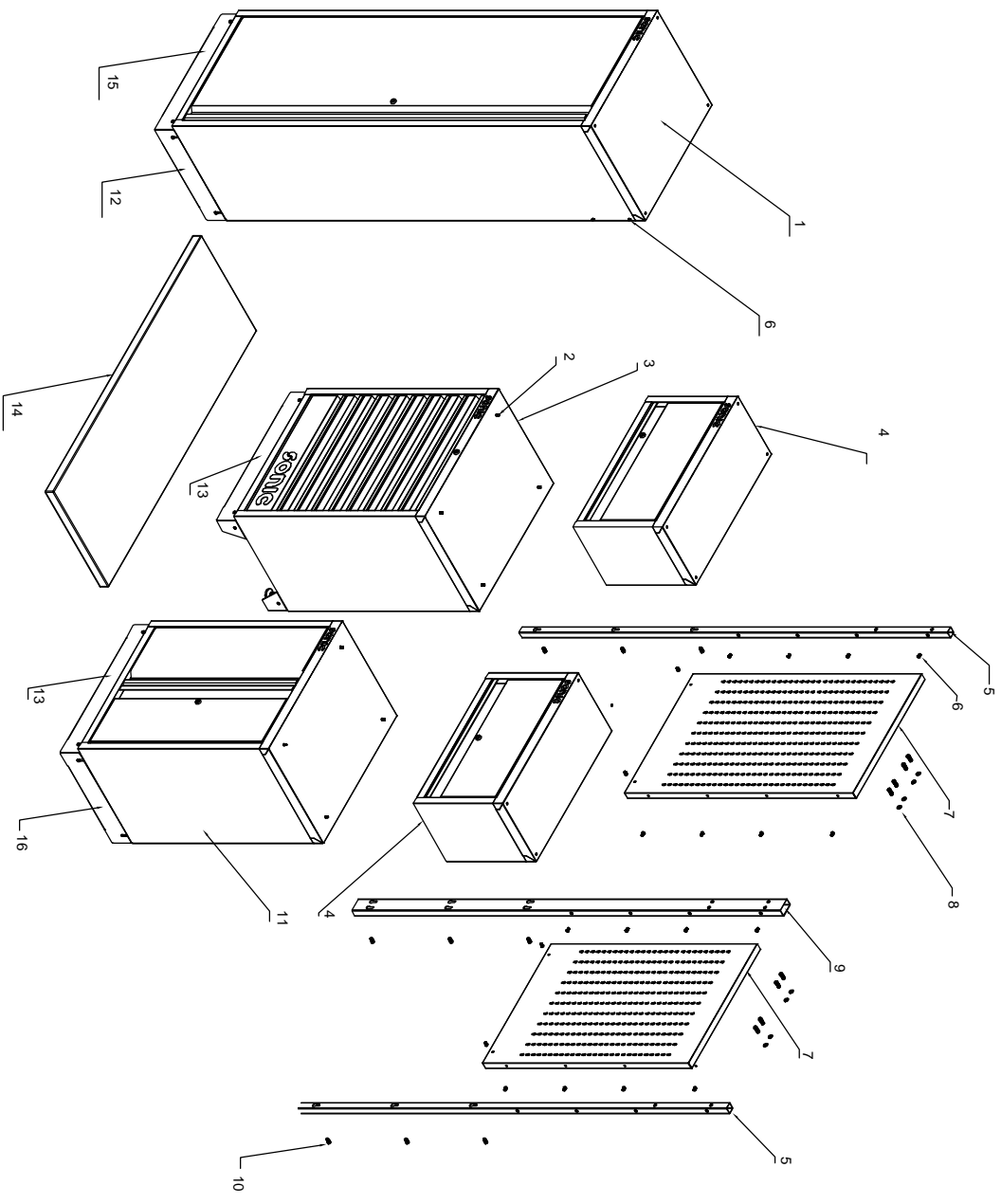


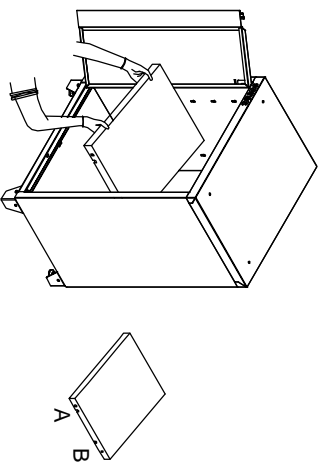
PARTS LIST



Ref#	Description	Part#	QTY
1	24" Locker	47272	1 pc
2	Hexagon bolt with flange screw (M6X25)		12 pcs
3	26" Cabinet frame	47280	1 pc
4	26" Cupboard	47276	2 pcs
5	Pipe (30X30mm)	47284	2 pcs
6	Truss head screw (M6X12, stainless)		16 pcs
7	26" Hanger board	47376	2 pcs
8	HEX socket head cap screw with washer (M6X16)		8 pcs
9	Pipe (60X30mm)	47283	2 pc
10	HEX socket head cap screw (M8X20)		12 pcs
11	26" Closet frame	47288	1 pc
12	24" Skirting side board	47310	1 pc
13	26" Skirting board	47289	2 pcs
14	52" Wooden work plate	47279	1 pc
15	24" Skirting board	47275	1 pc
16	26" Closet side board	47389	1 pc

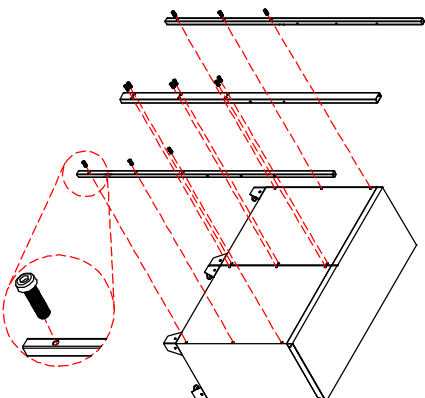
1. INSTALL ADJUSTABLE SHELF

Decide the height of the adjustable shelf onto the tongues on both side panels. Insert the bolts into the side panels. Place the shelf on the bolts. Make sure slot B go into box first.



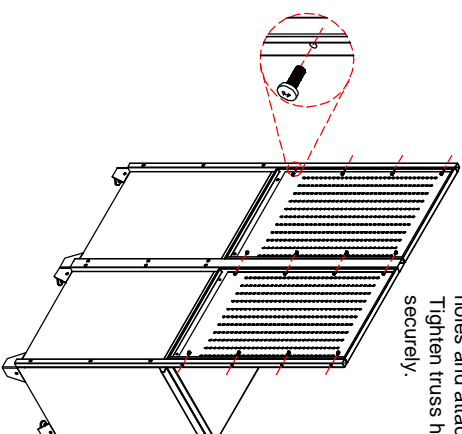
2. INSTALL PIPES

Simply position the pipes over the holes on the cabinets and attach with the bolts provided. Tighten HEX socket head cap screws (M8X20) securely.



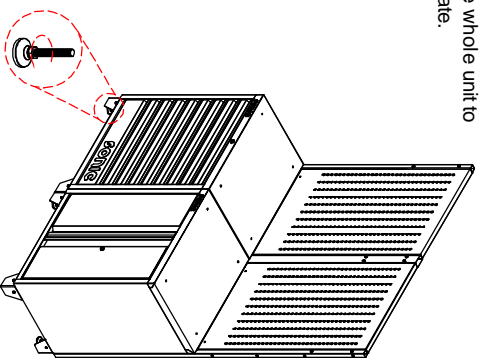
3. INSTALL HANGER BOARD

Simply position the hanger board over the holes and attach with the bolts provided. Tighten truss head screws (M6X12, stainless) securely.



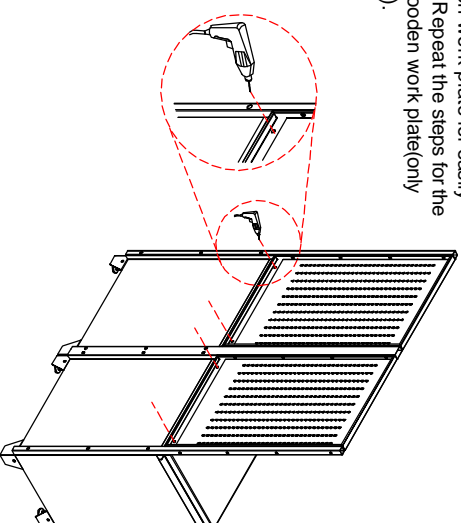
4. ADJUST LEVELER

Adjust the levelers and make the whole unit to stable state.



5. PRE-DRILL HOLES OF WOODEN WORK PLATE

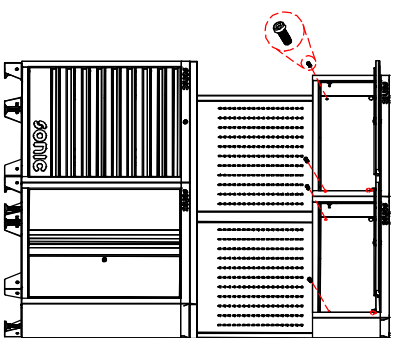
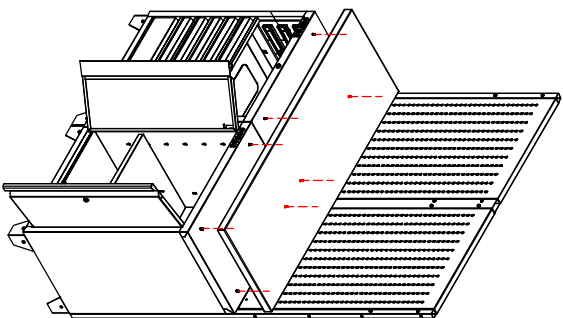
Pre-drill eight small holes under the wooden work plate for easily installing. Repeat the steps for the back of wooden work plate (only four holes).



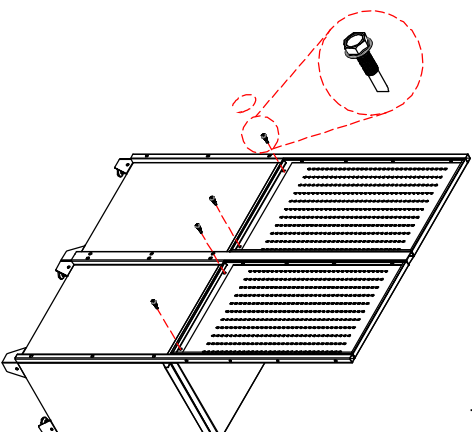
ASSEMBLY INSTRUCTIONS

6. INSTALL WOODEN WORK PLATE

Position the wooden work plate on the top of cabinets. Remove the top drawer of cabinet and open the 2-door cabinet. Insert the Hexagon bolt with flange screw(M6X25) through the top of cabinet, and into the bottom of the wooden worktop. Tighten securely. Reinstall the drawers.

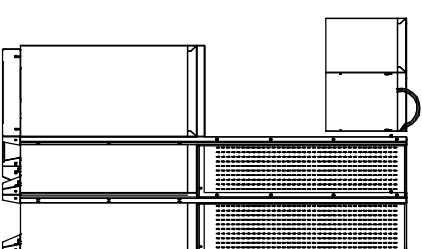


Insert the Hexagon bolt with flange screw(M6X25) through the back of hauger boards, and into the side of wooden work plate. Tighten securely.



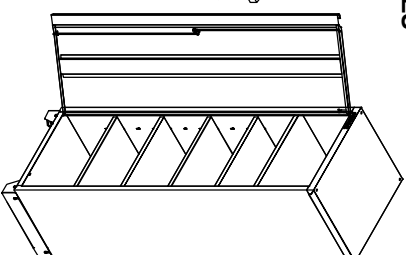
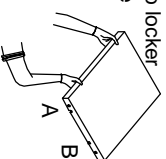
7. INSTALL CUPBOARD

Hang the cupboards onto the screws and attach with the HEX socket head cap screws(M6X16) provided. Tighten securely.



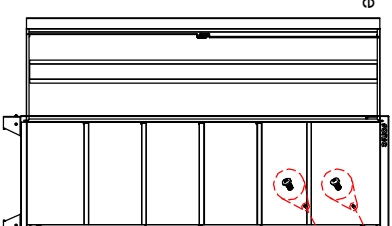
8. INSTALL FOUR ADJUSTABLE SHELVES

Decide the height of the adjustable shelf onto the tongues on both side panels. Insert the bolts into the side panels. Place the shelf on the bolts. Make sure slot B go to locker first. The top one is fixed, and the others are adjustable.



9. INSTALL LOCKER

Insert the truss head screws(M6X12) through the pipe(30X30mm). Tighten securely.



10. INSTALL SKIRTING BOARDS

Position the skirting boards on the legs of cabinets. Insert the truss head screw (M6X12, stainless) through the legs. Tighten securely. Repeat the steps for other skirting boards.

