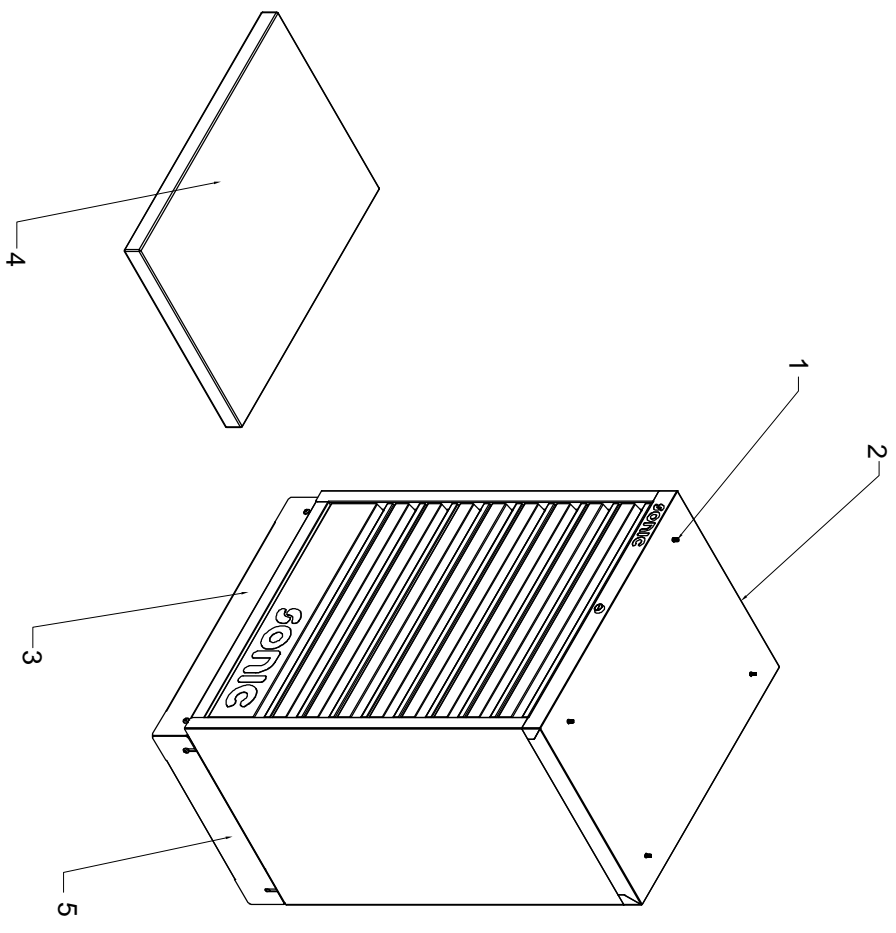


**PART LIST**

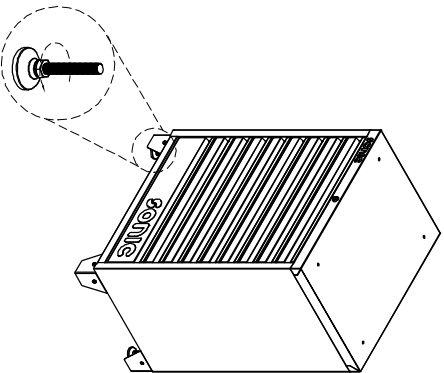
Ref#	Description	Part#	QTY
1	Hexagon bolt with flange screw (M6X25)		4 pcs
2	34" Cabinet frame	47296	1 pc
3	34" Skirting board	47303	1 pc
4	34" Wooden work plate	47382	1 pc
5	34" Closet side board	47389	1 pc



**ASSEMBLY INSTRUCTIONS**

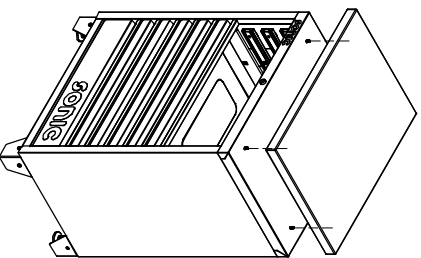
**1. ADJUST LEVELER**

Adjust the levelers and make the whole unit to stable state.



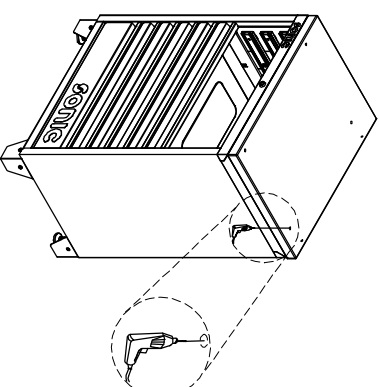
**3. INSTALL WOODEN WORK PLATE**

Position the wooden work plate on the top of cabinets. Remove the top drawer of cabinet. Insert the Hexagon bolt with flange screw (M6X25) through the top of cabinet, and into the bottom of the wooden worktop. Tighten securely. Reinstall the drawers.



**2. PRE-DRILL HOLES OF WOODEN WORK PLATE**

Pre-drill four small holes under the wooden work plate for easily installing.



**4. INSTALL SKIRTING BOARDS**

Position the skirting boards on the legs of cabinets. Insert the truss head screw ( M6X12, stainless ) through the legs. Tighten securely. Repeat the steps for other skirting boards.

