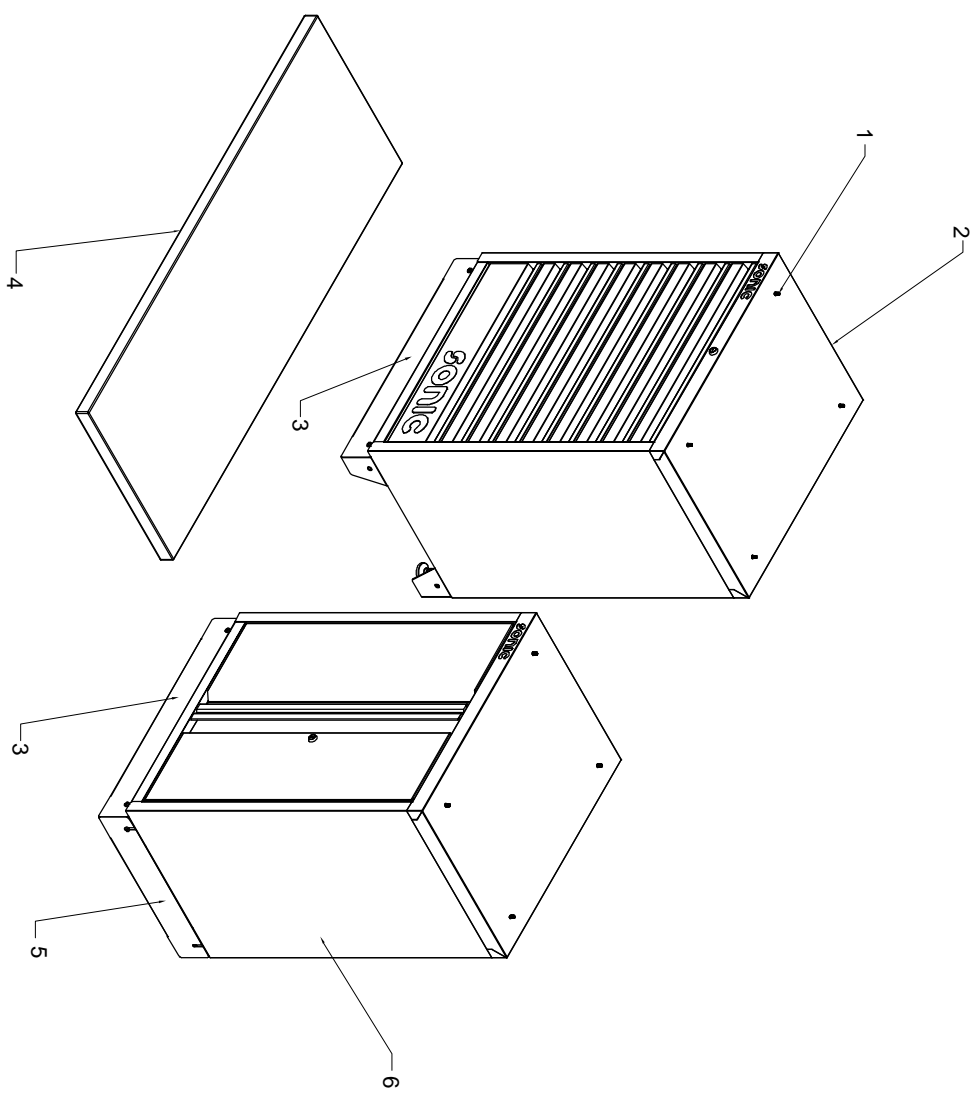


**PART LIST**

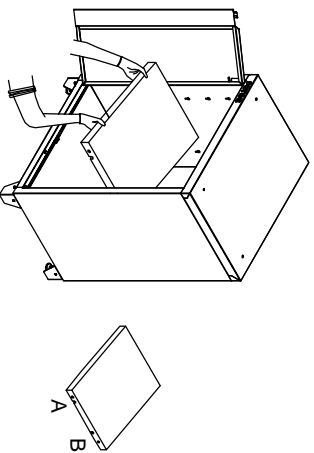
Ref#	Description	Part#	QTY
1	Hexagon bolt with flange screw (M6X25)		8 pcs
2	26" Cabinet frame	47280	1 pc
3	26" Skirting board	47289	2 pcs
4	52" Wooden work plate	47279	1 pc
5	26" Closet side board	47389	1 pc
6	26" Closet frame	47288	1 pc



**ASSEMBLY INSTRUCTIONS**

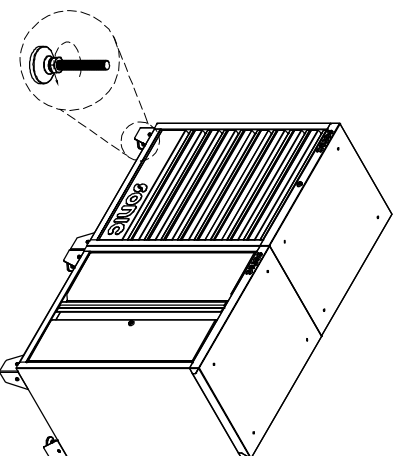
**1. INSTALL ADJUSTABLE SHELF**

Decide the height of the adjustable shelf onto the tongues on both side panels. Insert the bolts into the side panels. Place the shelf on the bolts. Make sure slot B go into box first.



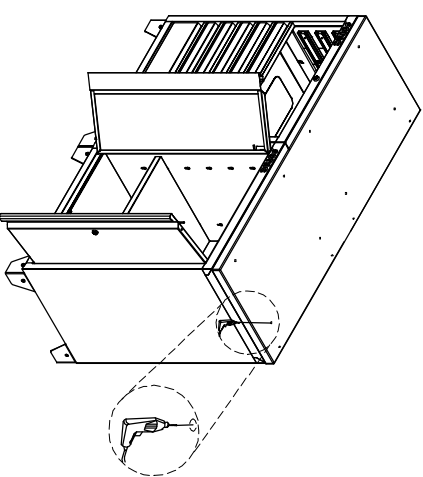
**2. ADJUST LEVELER**

Adjust the levelers and make the whole unit to stable state.



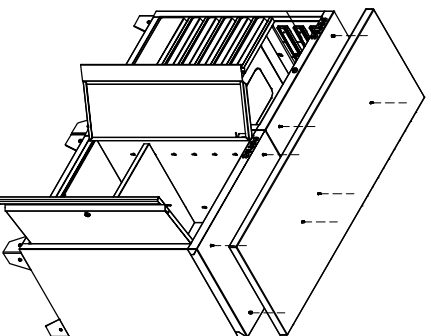
**3. PRE-DRILL HOLES OF WOODEN WORK PLATE**

Pre-drill eight small holes under the wooden work plate for easily installing.



**4. INSTALL WOODEN WORK PLATE**

Position the wooden work plate on the top of cabinets. Remove the top drawer of cabinet and open the 2-door cabinet. Insert the Hexagon bolt with flange screw (M6 X25) through the top of cabinet, and into the bottom of the wooden worktop. Tighten securely. Reinstall the drawers.



**5. INSTALL SKIRTING BOARDS**

Position the skirting boards on the legs of cabinets. Insert the truss head screw ( M6X12, stainless ) through the legs. Tighten securely. Repeat the steps for other skirting boards.

